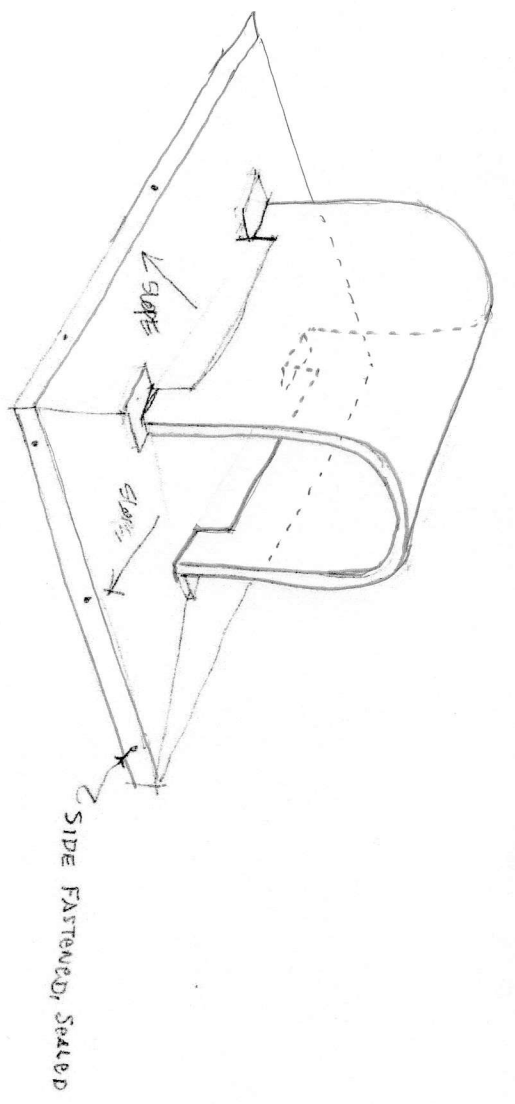
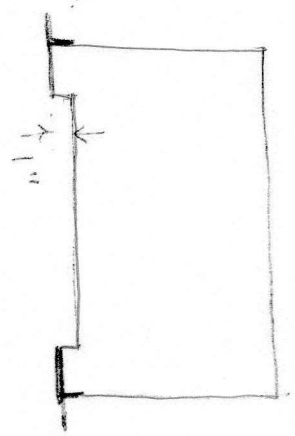


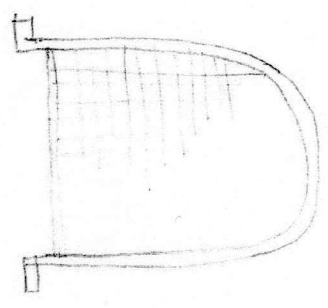
CRY



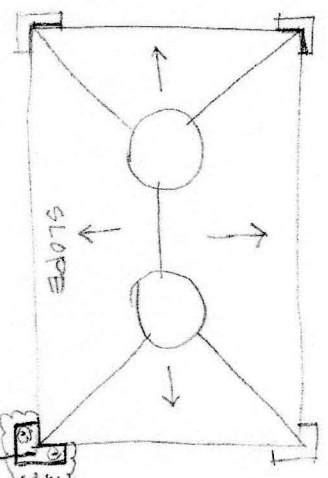
26 GA. GALV. SHEET METAL.



SIDE ELEVATION



FRONT ELEVATION



PLAN

SEALED FASTENERS