

BALCONY DECK REPAIR

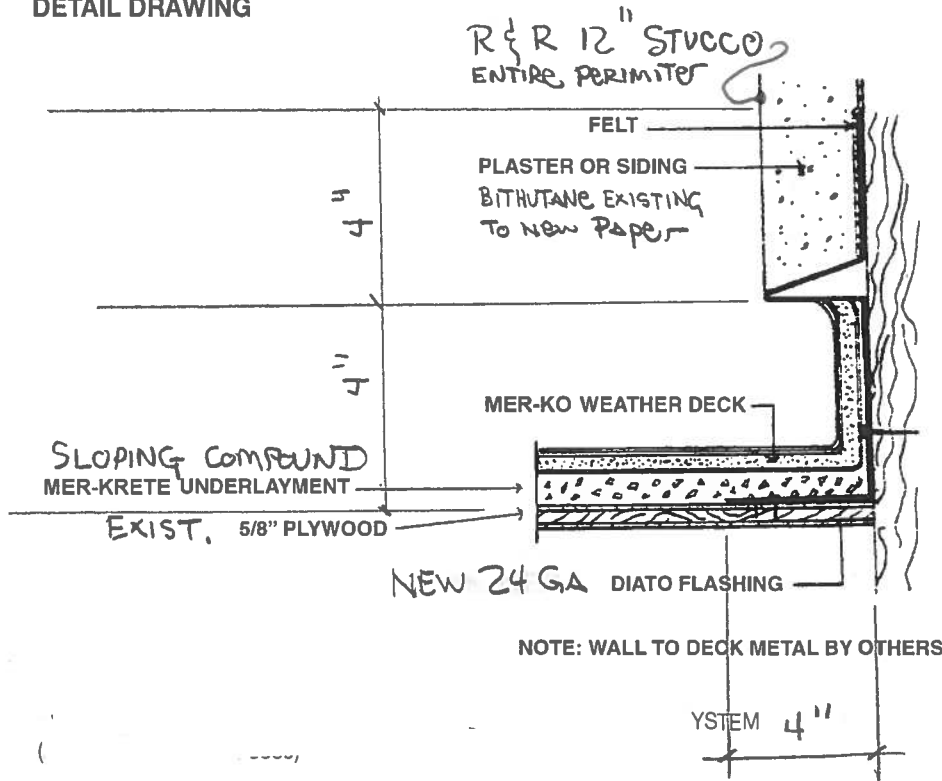
SEABRIDGE
ARC

Mer-Ko™ Weather Deck OR EQUAL, SUBMIT Spec.

FOR SPECIFIERS

slope to drain as necessary (minimum 1/4" per foot) and allowed to dry.

DETAIL DRAWING



* NOTE: All work shall be installed in strict accordance with manufacturer's specifications and local building codes using the standard of care for exterior waterproof deck applications.

R & REPLACE existing scupper's
R & REPLACE existing DRAINS
(JR SMITH DX 1240 OR EQUAL)

The Mer-Ko Weather Deck Fire-Retardant Walking Deck covering installed in accordance with this report over 3/4" thick (15.9 mm) exterior-grade plywood with 2" x 8" (51 mm x 23 mm) joists spaced 16" (.406 m) on center, with all plywood joints blocked, may be substituted for the double wood floor described in Footnote 13 of table 7-C of the UBC. When installed over nominal 2-by-8 joists, the design bending stress assigned to the joists shall be limited to 78 percent of the UBC described designed values.

OPTION "A"
DIATO METAL
24 GA G.I.



**MER-KO COMPOSITION
FLOORING SYSTEMS**
(800) 851-6303

Mer-Ko Composition Flooring Systems
501 Van Ness Avenue
Torrance, California 90501

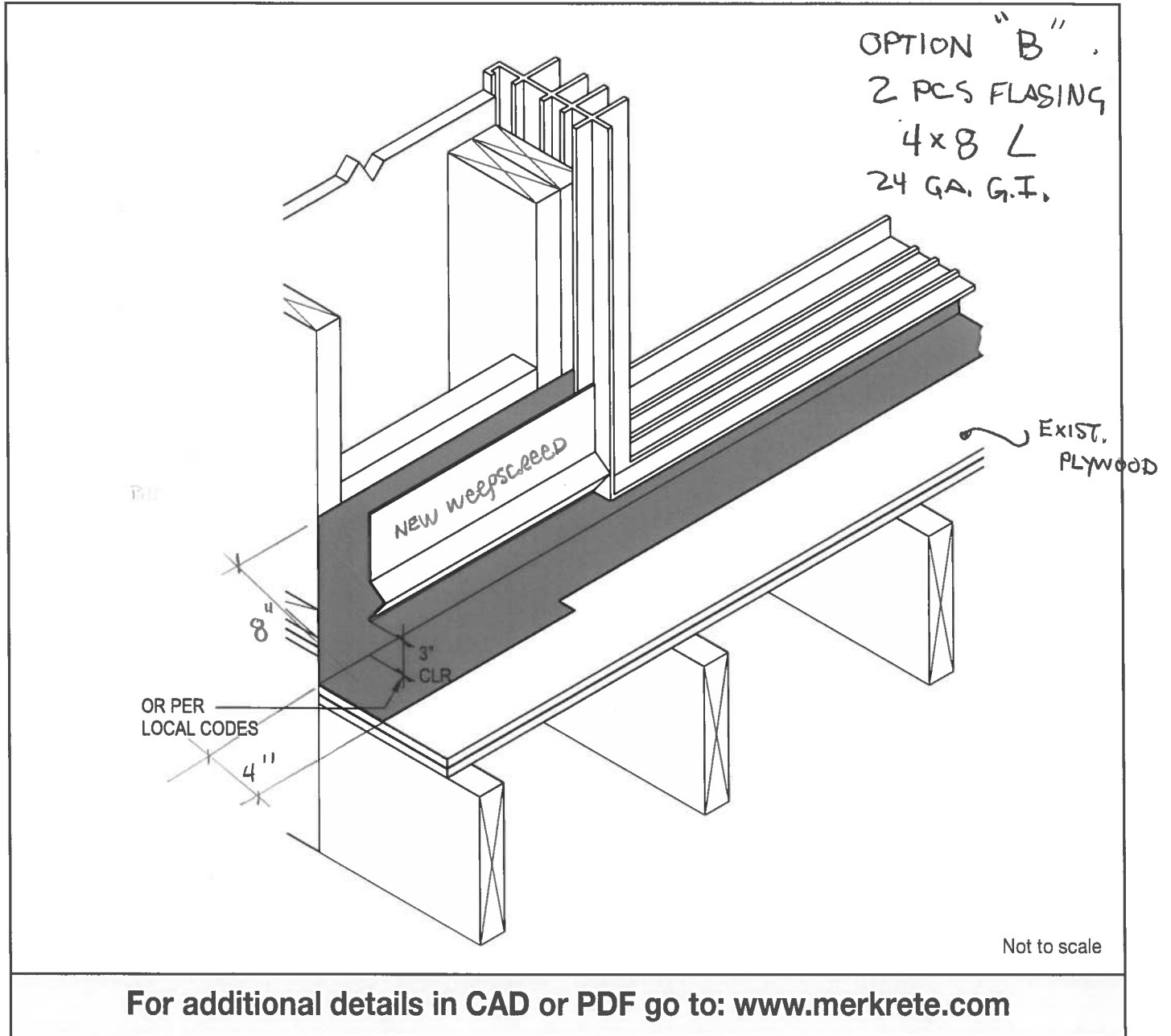
Tel: (323) 775-2461
Fax: (310) 320-4938
Internet: www.merkrete.com
E-mail: info@merkrete.com

For the latest and most current product information, make sure to visit our website at: www.merkrete.com

REV 6/07 A Division of **PureKhabra**

Mer-Ko™ Weather Deck OR EQUAL SUBMIT SPECS

WATERPROOF & FIRE RETARDANT PEDESTRIAN DECKING
DETAIL - TWO PIECE FLASHING



Mer-Ko Composition
Flooring Systems
501 Van Ness Avenue
Torrance, California 90501

Tel: (323) 775-2461
Fax: (310) 320-4938
Internet: www.merkrete.com
E-mail: info@merkrete.com



**MER-KO COMPOSITION
FLOORING SYSTEMS
(800) 851-6303**

For the latest and most current product information, make sure to visit our website at: www.merkrete.com

REV 6/07 A Division of **ParexLahabra**